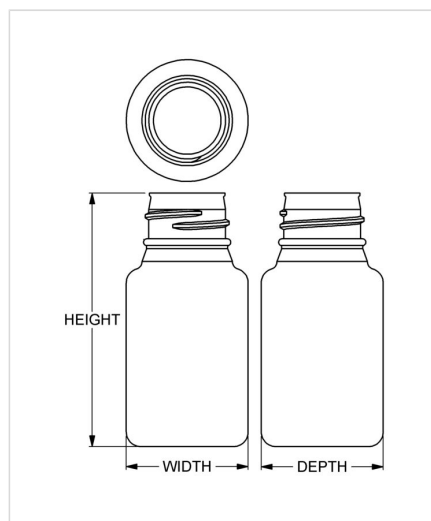


Item: RecyclePak™ 60 cc Classic Series Wide-Mouth Round

Family: RecyclePak™ Round



Specifications

- | | |
|-------------------------------------|---|
| • Capacity 60 ml/cc / 2.0 oz | • Height 82.6 mm / 3.252 in |
| • Mold # 0061 | • Width 39.67 mm / 1.562 in |
| • Finish 28-480 | • Depth 39.67 mm / 1.562 in |
| • Finish Code G5 | • Overflow 72 ml/cc / 2.4 oz |
| • Weight 10.0 g / 0.35 oz | • Max. Bead Diameter 28.6 mm / 1.126 in |
| • Other Weights No | • Material Options Post-Consumer Recycled HDPE, HDPE |