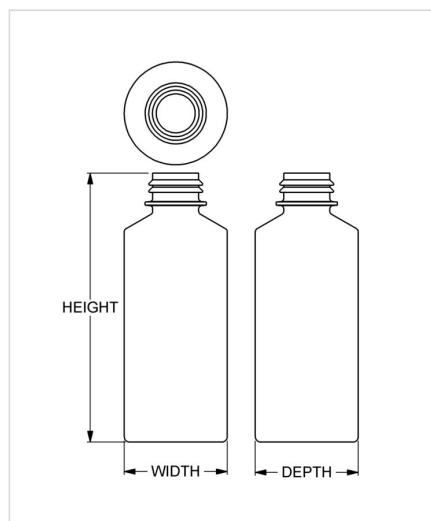


Item: RecyclePak™ 4 oz Optic Cylinder

Family: RecyclePak™ Cylinder



Specifications

- | | |
|--------------------------------------|---|
| • Capacity 118 ml/cc / 4.0 oz | • Height 118.34 mm / 4.659 in |
| • Mold # 0306 | • Width 45.21 mm / 1.780 in |
| • Finish Special | • Depth 45.21 mm / 1.780 in |
| • Finish Code FA | • Overflow 147 ml/cc / 5.0 oz |
| • Weight 14.0 g / 0.49 oz | • Max. Bead Diameter 27.66 mm / 1.089 in |
| • Other Weights No | • Material Options Post-Consumer Recycled HDPE, HDPE |