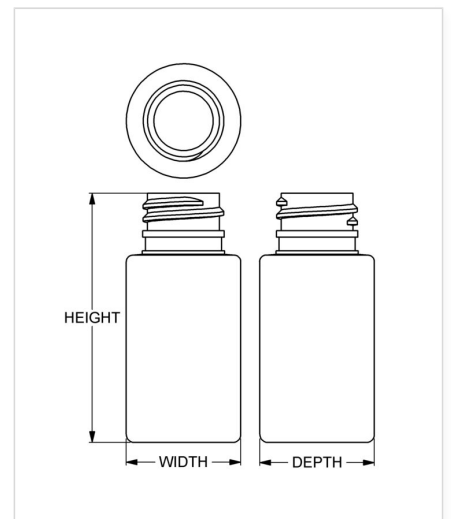


Item: RecyclePak™ 20 ml Cylindrical Vial

Family: RecyclePak™ Cylinder



Specifications

- **Capacity** 20 ml/cc / 0.7 oz
- **Mold #** 0553
- **Finish** 20-410
- **Finish Code** D2
- **Weight** 8.5 g / 0.30 oz
- **Other Weights** No
- **Height** 60.91 mm / 2.398 in
- **Width** 27.94 mm / 1.100 in
- **Depth** 27.94 mm / 1.100 in
- **Overflow** 25 ml/cc / 0.8 oz
- **Max. Bead Diameter** 19.89 mm / 0.783 in
- **Material Options** Post-Consumer Recycled PET, PET