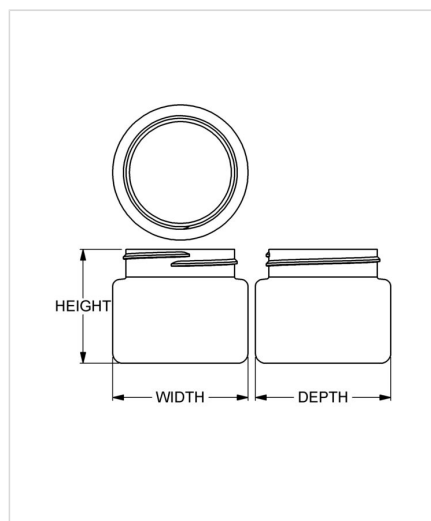


Item: RecyclePak™ 2 oz Straight Sided Jar

Family: RecyclePak™ Jar



Specifications

- | | |
|-------------------------------------|---|
| • Capacity 59 ml/cc / 2.0 oz | • Height 52.27 mm / 2.058 in |
| • Mold # 0385 | • Width 61.93 mm / 2.438 in |
| • Finish 53 mm | • Depth 61.93 mm / 2.438 in |
| • Finish Code MA | • Overflow 126 ml/cc / 4.3 oz |
| • Weight 13.0 g / 0.46 oz | • Max. Bead Diameter na na / na na |
| • Other Weights No | • Material Options Post-Consumer Recycled HDPE, HDPE |