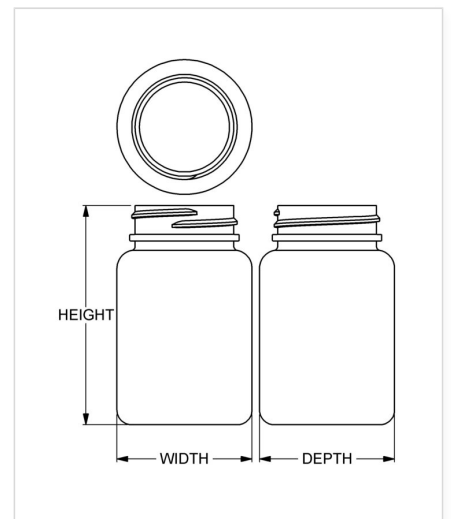


Item: 90 cc Contemporary Series Wide-Mouth Round

Family: Browse Round



Specifications

- | | |
|-------------------------------------|---|
| • Capacity 90 ml/cc / 3.0 oz | • Height 77.47 mm / 3.050 in |
| • Mold # 0090 | • Width 47.63 mm / 1.875 in |
| • Finish 38-400 | • Depth 47.63 mm / 1.875 in |
| • Finish Code I1 | • Overflow 109 ml/cc / 3.7 oz |
| • Weight 12.0 g / 0.42 oz | • Max. Bead Diameter 38.99 mm / 1.535 in |
| • Other Weights No | • Material Options HDPE |



Compatible closures & fitments



38 mm Continuous
Thread Ribbed Side
Smooth Top



38 mm THUMBLE-
EZY® Dispensing Top



38 mm Continuous
Thread Smooth Side
Smooth Top



38 mm SecuRx®
Ribbed Side Pictorial
Top CRC



38 mm SecuRx®
Ribbed Side Text Top
CRC



38 mm THUMBLE-
EZY® Dispensing Top
with Raised Ring



38 mm THUMBLE-
EZY® III Dispensing
Top



38 mm SecuRx® 15ml
Dosage Cap™ with
Ribbed Side Text Top

