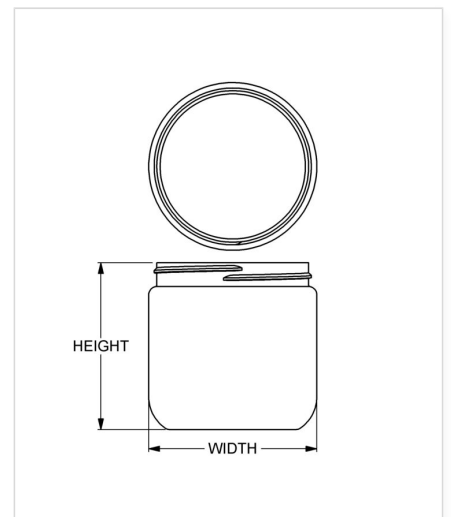


Item: PharmaSure™ 8 oz Ointment Jar

Family: PharmaSure™ Jar



Specifications

- | | |
|--------------------------------------|---|
| • Capacity 237 ml/cc / 8.0 oz | • Height 73.38 mm / 2.889 in |
| • Mold # 0969 | • Width 73.81 mm / 2.906 in |
| • Finish 70-400 | • Depth 73.81 mm / 2.906 in |
| • Finish Code O1 | • Overflow 271 ml/cc / 9.2 oz |
| • Weight 22.0 g / 0.78 oz | • Max. Bead Diameter na na / na na |
| • Other Weights No | • Material Options PP |