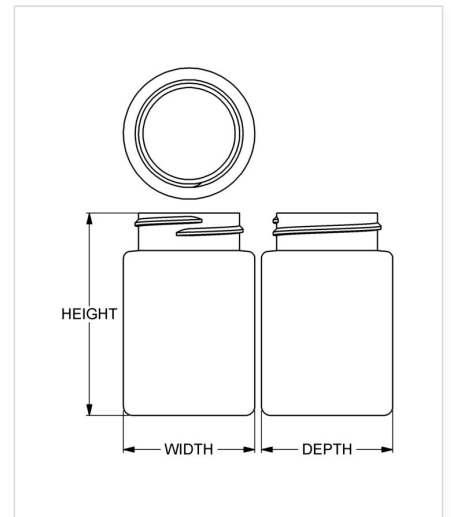


Item: 75 cc Contemporary Series Wide-Mouth Round
Family: Browse Round



Specifications

- | | |
|-------------------------------------|-------------------------------------|
| • Capacity 75 ml/cc / 2.5 oz | • Height 69.85 mm / 2.750 in |
| • Mold # 0382 | • Width 45.24 mm / 1.781 in |
| • Finish 38-400 | • Depth 45.24 mm / 1.781 in |
| • Finish Code I1 | • Overflow 90 ml/cc / 3.0 oz |
| • Weight 11.2 g / 0.40 oz | • Max. Bead Diameter N/A |
| • Other Weights No | • Material Options HDPE |



Compatible closures & fitments



38 mm Continuous
Thread Ribbed Side
Smooth Top



38 mm THUMBLE-
EZY® Dispensing Top



38 mm Continuous
Thread Smooth Side
Smooth Top



38 mm SecuRx®
Ribbed Side Pictorial
Top CRC



38 mm SecuRx®
Ribbed Side Text Top
CRC



38 mm THUMBLE-
EZY® Dispensing Top
with Raised Ring



38 mm THUMBLE-
EZY® III Dispensing
Top



38 mm SecuRx® 15ml
Dosage Cap™ with
Ribbed Side Text Top

