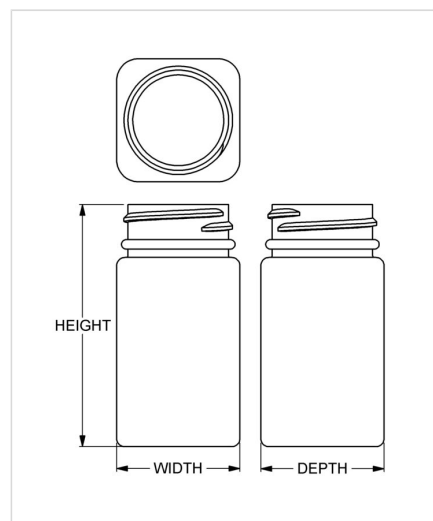


Item: PharmaSure™ 60 cc Wide-Mouth Pharmaceutical Square

Family: PharmaSure™ Square



Specifications

- | | |
|-------------------------------------|---|
| • Capacity 60 ml/cc / 2.0 oz | • Height 70.99 mm / 2.795 in |
| • Mold # 0380 | • Width 36.07 mm / 1.420 in |
| • Finish 33-400 | • Depth 36.07 mm / 1.420 in |
| • Finish Code H1 | • Overflow 68 ml/cc / 2.3 oz |
| • Weight 12.0 g / 0.42 oz | • Max. Bead Diameter 34.01 mm / 1.339 in |
| • Other Weights No | • Material Options Post-Consumer Recycled HDPE, HDPE |