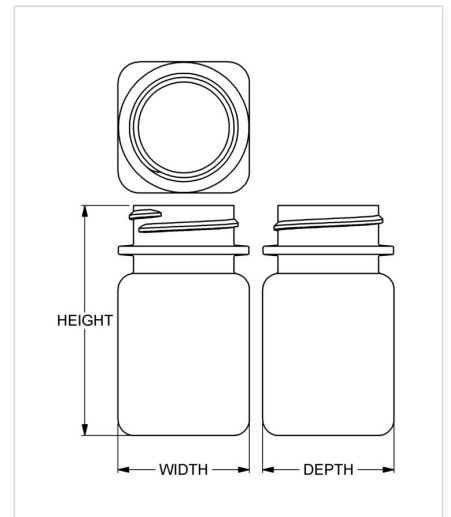


Item: PharmaSure™ 60 cc Wide-Mouth Pharmaceutical Square

Family: PharmaSure™ Square



Specifications

- | | |
|-------------------------------------|---|
| • Capacity 60 ml/cc / 2.0 oz | • Height 67.44 mm / 2.655 in |
| • Mold # S061 | • Width 38.48 mm / 1.515 in |
| • Finish 33-400 | • Depth 38.48 mm / 1.515 in |
| • Finish Code H1 | • Overflow 72 ml/cc / 2.4 oz |
| • Weight 9.5 g / 0.34 oz | • Max. Bead Diameter 38.86 mm / 1.530 in |
| • Other Weights No | • Material Options Post-Consumer Recycled HDPE, HDPE |

Compatible closures & fitments



PharmaSure™ 33 mm
Continuous Thread
Ribbed Side Smooth
Top



PharmaSure™ 33 mm
Continuous Thread
Smooth Side Smooth
Top