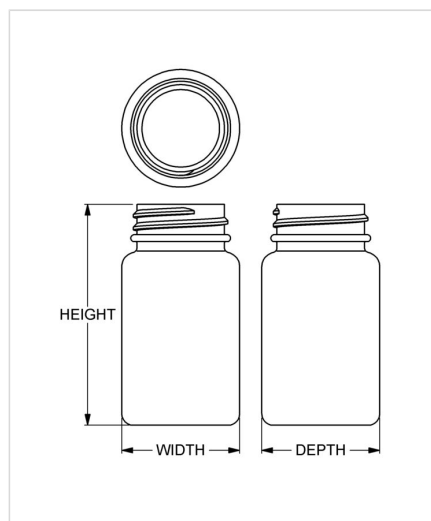


Item: 60 cc Classic Series Wide-Mouth Round
Family: Browse Round



Specifications

- | | |
|-------------------------------------|---|
| • Capacity 60 ml/cc / 2.0 oz | • Height 74.55 mm / 2.935 in |
| • Mold # 0278 | • Width 39.67 mm / 1.562 in |
| • Finish 33-400 | • Depth 39.67 mm / 1.562 in |
| • Finish Code H1 | • Overflow 70 ml/cc / 2.4 oz |
| • Weight 11.5 g / 0.41 oz | • Max. Bead Diameter 34.47 mm / 1.357 in |
| • Other Weights No | • Material Options HDPE |

Compatible closures & fitments



33 mm Continuous
Thread Ribbed Side
Smooth Top



33 mm Continuous
Thread Smooth Side
Smooth Top



33 mm SecuRx®
Ribbed Side Text Top
CRC



33 mm SecuRx®
Ribbed Side Pictorial
Top CRC



33 mm SecuRx®
SMAT Cap Text Top
CRC