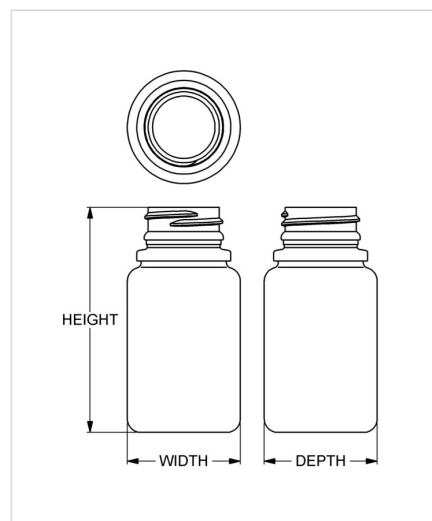


Item: 60 cc Classic Series Wide-Mouth Round

Family: Browse Round



Specifications

- | | |
|-------------------------------------|--|
| • Capacity 60 ml/cc / 2.0 oz | • Height 79.17 mm / 3.117 in |
| • Mold # 0061 | • Width 39.67 mm / 1.562 in |
| • Finish Special | • Depth 39.67 mm / 1.562 in |
| • Finish Code GD | • Overflow 73 ml/cc / 2.5 oz |
| • Weight 10.0 g / 0.35 oz | • Max. Bead Diameter 33.4 mm / 1.315 in |
| • Other Weights No | • Material Options HDPE |