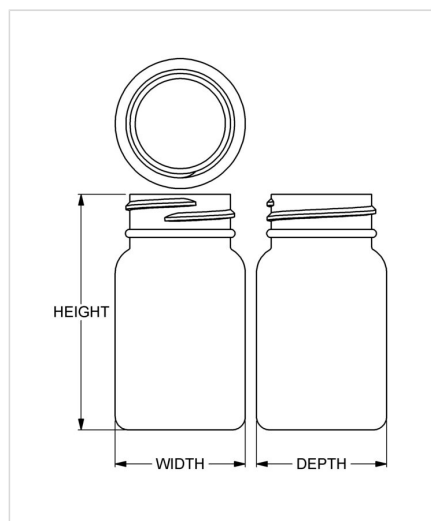


Item: 50 cc Artistic Series Wide-Mouth Round
Family: Browse Round



Specifications

- | | |
|-------------------------------------|---|
| • Capacity 50 ml/cc / 1.7 oz | • Height 69.06 mm / 2.719 in |
| • Mold # 0050 | • Width 38.10 mm / 1.500 in |
| • Finish 33-400 | • Depth 38.10 mm / 1.500 in |
| • Finish Code H1 | • Overflow 62 ml/cc / 2.1 oz |
| • Weight 8.0 g / 0.28 oz | • Max. Bead Diameter 32.51 mm / 1.280 in |
| • Other Weights No | • Material Options HDPE |

Compatible closures & fitments



33 mm Continuous
Thread Ribbed Side
Smooth Top



33 mm Continuous
Thread Smooth Side
Smooth Top



33 mm SecuRx®
Ribbed Side Text Top
CRC



33 mm SecuRx®
Ribbed Side Pictorial
Top CRC



33 mm SecuRx®
SMAT Cap Text Top
CRC