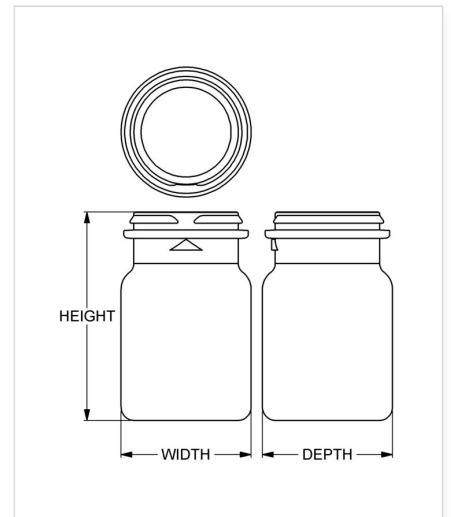


Item: 45 cc Snap Cap Series Wide-Mouth Round

Family: Browse Round



Specifications

- | | |
|-------------------------------------|-------------------------------------------------|
| • Capacity 45 ml/cc / 1.5 oz | • Height 61.11 mm / 2.406 in |
| • Mold # 0045 | • Width 38.10 mm / 1.500 in |
| • Finish 33-Snp | • Depth 38.10 mm / 1.500 in |
| • Finish Code HC | • Overflow 53 ml/cc / 1.8 oz |
| • Weight 8.5 g / 0.30 oz | • Max. Bead Diameter 36.65 mm / 1.443 in |
| • Other Weights No | • Material Options HDPE |

Compatible closures & fitments



33 mm Snap Cap Text
Top CRC