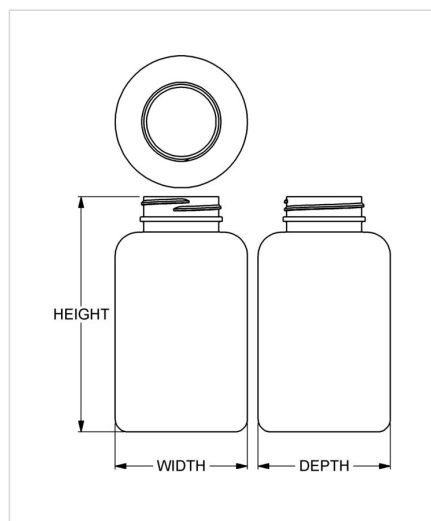


Item: 400 cc Classic Series Wide-Mouth Round
Family: Browse Round



Specifications

- | | |
|---------------------------------------|---|
| • Capacity 400 ml/cc / 13.5 oz | • Height 130.18 mm / 5.125 in |
| • Mold # H400 | • Width 73.03 mm / 2.875 in |
| • Finish 45 mm | • Depth 73.03 mm / 2.875 in |
| • Finish Code KA | • Overflow 440 ml/cc / 14.9 oz |
| • Weight 36.0 g / 1.27 oz | • Max. Bead Diameter 45.72 mm / 1.800 in |
| • Other Weights No | • Material Options HDPE |

Compatible closures & fitments



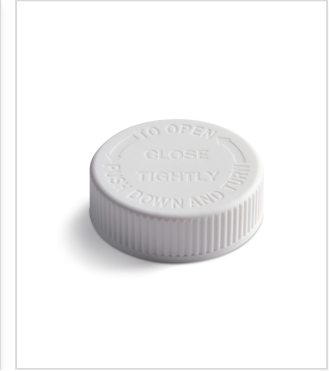
45 mm SecuRx®
GripMax™ Text Top
CRC



45 mm Continuous
Thread Ribbed Side
Smooth Top



45 mm Continuous
Thread Smooth Side
Smooth Top



45 mm SecuRx®
Ribbed Side Text Top
CRC



45 mm THUMBLE-
EZY® Dispensing Top



45 mm THUMBLE-
EZY® Dispensing Top
with Raised Ring