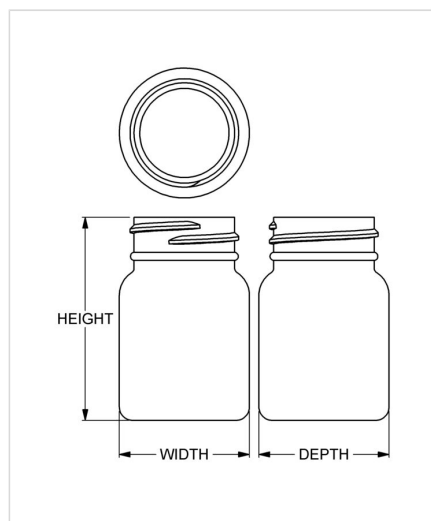


Item: PharmaSure™ 30 cc Artistic Series Wide-Mouth Pharmaceutical Round
Family: PharmaSure™ Round



Specifications

- **Capacity** 30 ml/cc / 1.0 oz
- **Mold #** 0308
- **Finish** 33-400
- **Finish Code** H1
- **Weight** 7.0 g / 0.25 oz
- **Other Weights** No
- **Height** 59.54 mm / 2.344 in
- **Width** 38.1 mm / 1.500 in
- **Depth** 38.1 mm / 1.500 in
- **Overflow** 51 ml/cc / 1.7 oz
- **Max. Bead Diameter** 34.47 mm / 1.357 in
- **Material Options** Post-Consumer Recycled HDPE, HDPE