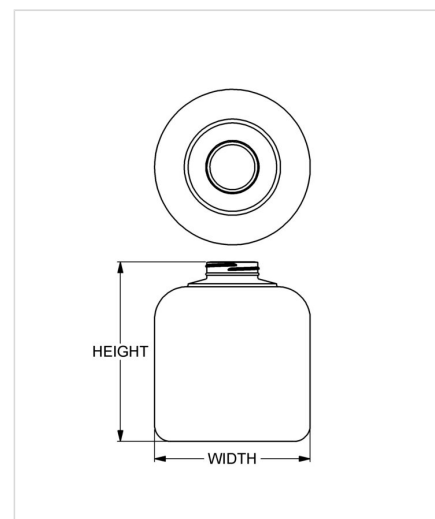


Item: 2500 cc Classic Series Wide-Mouth Round
Family: Browse Round



Specifications

- | | |
|--|---|
| • Capacity 2500 ml/cc / 84.5 oz | • Height 175.11 mm / 6.894 in |
| • Mold # 2500 | • Width 151.92 mm / 5.981 in |
| • Finish 53-400 | • Depth 151.92 mm / 5.981 in |
| • Finish Code M1 | • Overflow 2568 ml/cc / 86.8 oz |
| • Weight 105.0 g / 3.70 oz | • Max. Bead Diameter 52.25 mm / 2.057 in |
| • Other Weights Yes | • Material Options HDPE |



Compatible closures & fitments



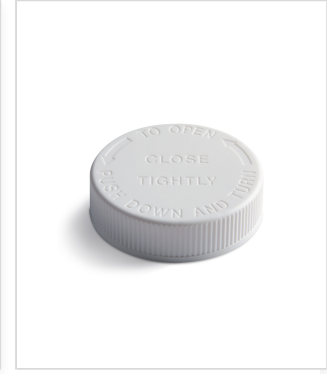
53 mm Continuous
Thread Ribbed Side
Smooth Top



53 mm Continuous
Thread Smooth Side
Smooth Top



53 mm SecuRx®
Ribbed Side Smooth
Top 2-Way Humidity
Control CRC



53 mm SecuRx®
Ribbed Side Text Top
CRC



53 mm THUMBLE-
EZY® Dispensing Top
with Raised Ring

