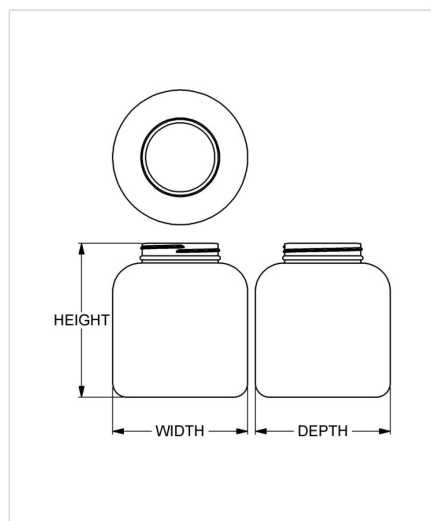


**Item:** PharmaSure™ 2500 cc Classic Series Wide-Mouth Pharmaceutical Round  
**Family:** PharmaSure™ Round



## Specifications

- |  |   |
|--|---|
| • <b>Capacity</b> 2500 ml/cc / 84.5 oz | • <b>Height</b> 173.51 mm / 6.831 in                        |
| • <b>Mold #</b> 2500                   | • <b>Width</b> 151.92 mm / 5.981 in                         |
| • <b>Finish</b> 89-400                 | • <b>Depth</b> 151.92 mm / 5.981 in                         |
| • <b>Finish Code</b> P1                | • <b>Overflow</b> 2596 ml/cc / 87.8 oz                      |
| • <b>Weight</b> 105.0 g / 3.70 oz      | • <b>Max. Bead Diameter</b> 91.64 mm / 3.608 in             |
| • <b>Other Weights</b> Yes             | • <b>Material Options</b> Post-Consumer Recycled HDPE, HDPE |