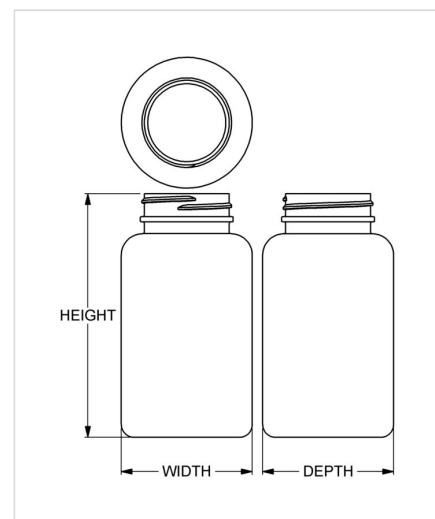


Item: 250 cc Classic Series Wide-Mouth Round
Family: Browse Round



Specifications

- | | |
|--------------------------------------|---|
| • Capacity 250 ml/cc / 8.5 oz | • Height 119.08 mm / 4.688 in |
| • Mold # H250 | • Width 63.91 mm / 2.516 in |
| • Finish 45-400 | • Depth 63.91 mm / 2.516 in |
| • Finish Code K1 | • Overflow 311 ml/cc / 10.5 oz |
| • Weight 27.0 g / 0.95 oz | • Max. Bead Diameter 45.72 mm / 1.800 in |
| • Other Weights No | • Material Options HDPE, PP |



Compatible closures & fitments



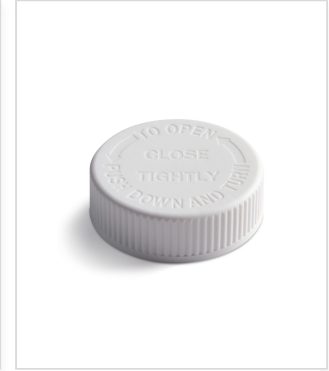
45 mm SecuRx®
GripMax™ Text Top
CRC



45 mm Continuous
Thread Ribbed Side
Smooth Top



45 mm Continuous
Thread Smooth Side
Smooth Top



45 mm SecuRx®
Ribbed Side Text Top
CRC



45 mm THUMBLE-
EZY® Dispensing Top



45 mm THUMBLE-
EZY® Dispensing Top
with Raised Ring

