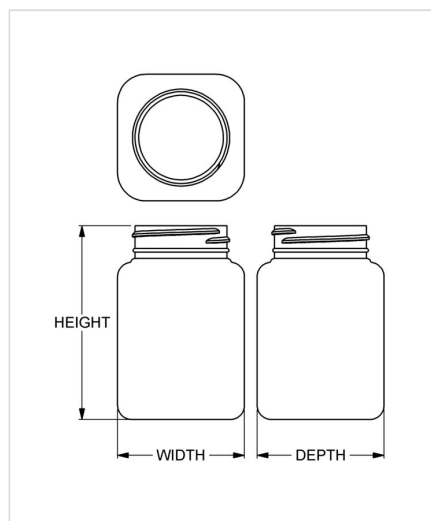


Item: 200 cc Wide-Mouth Square

Family: Browse Square



Specifications

- | | |
|--------------------------------------|-------------------------------------------------|
| • Capacity 200 ml/cc / 6.8 oz | • Height 87.38 mm / 3.440 in |
| • Mold # S200 | • Width 57.15 mm / 2.250 in |
| • Finish 45-400 | • Depth 57.15 mm / 2.250 in |
| • Finish Code K1 | • Overflow 215 ml/cc / 7.3 oz |
| • Weight 20.0 g / 0.71 oz | • Max. Bead Diameter 43.94 mm / 1.730 in |
| • Other Weights No | • Material Options HDPE |



Compatible closures & fitments



45 mm SecuRx®
GripMax™ Text Top
CRC



45 mm Continuous
Thread Ribbed Side
Smooth Top



45 mm Continuous
Thread Smooth Side
Smooth Top



45 mm SecuRx®
Ribbed Side Text Top
CRC



45 mm THUMBLE-
EZY® Dispensing Top



45 mm THUMBLE-
EZY® Dispensing Top
with Raised Ring

