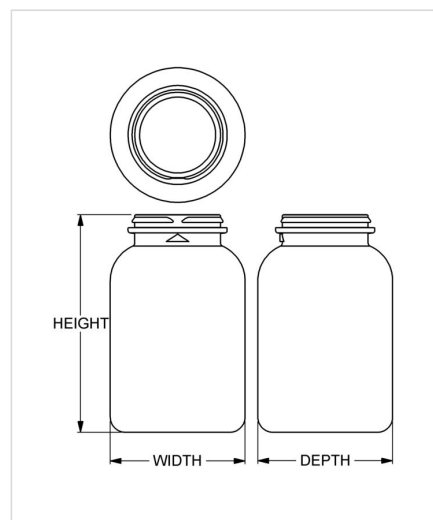


**Item:** PharmaSure™ 160 cc Snap Cap Series Wide-Mouth Pharmaceutical Round

**Family:** PharmaSure™ Round



## Specifications

- |                                      |   |
|--------------------------------------|---|
| • <b>Capacity</b> 160 ml/cc / 5.4 oz | • <b>Height</b> 91.16 mm / 3.589 in                         |
| • <b>Mold #</b> 0160                 | • <b>Width</b> 56.39 mm / 2.220 in                          |
| • <b>Finish</b> 38-Snp               | • <b>Depth</b> 55.88 mm / 2.200 in                          |
| • <b>Finish Code</b> IC              | • <b>Overflow</b> 180 ml/cc / 6.1 oz                        |
| • <b>Weight</b> 18.0 g / 0.63 oz     | • <b>Max. Bead Diameter</b> 41.66 mm / 1.640 in             |
| • <b>Other Weights</b> No            | • <b>Material Options</b> Post-Consumer Recycled HDPE, HDPE |