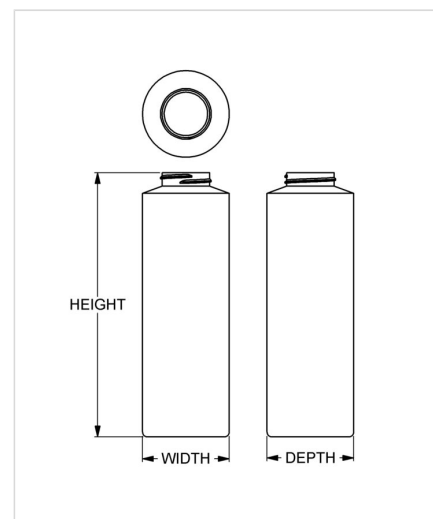


Item: 16 oz Wide-Mouth Cylinder

Family: Browse Cylinder



Specifications

- | | |
|---------------------------------------|---------------------------------------|
| • Capacity 473 ml/cc / 16.0 oz | • Height 193.68 mm / 7.625 in |
| • Mold # 1016 | • Width 63.50 mm / 2.500 in |
| • Finish 38-400 | • Depth 63.50 mm / 2.500 in |
| • Finish Code I1 | • Overflow 537 ml/cc / 18.2 oz |
| • Weight 32.0 g / 1.13 oz | • Max. Bead Diameter N/A |
| • Other Weights No | • Material Options HDPE |

Compatible closures & fitments



38 mm Continuous
Thread Ribbed Side
Smooth Top



38 mm THUMBLE-
EZY® Dispensing Top



38 mm Continuous
Thread Smooth Side
Smooth Top



38 mm THUMBLE-
EZY® Dispensing Top
with Raised Ring



38 mm THUMBLE-
EZY® III Dispensing
Top