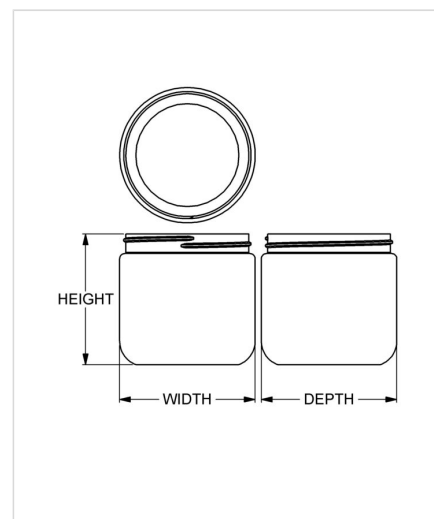


Item: 16 oz Ointment Jar

Family: Browse Jar



Specifications

- | | |
|---------------------------------------|---------------------------------------|
| • Capacity 473 ml/cc / 16.0 oz | • Height 91.29 mm / 3.594 in |
| • Mold # 0975 | • Width 94.46 mm / 3.719 in |
| • Finish 89-400 | • Depth 94.46 mm / 3.719 in |
| • Finish Code P1 | • Overflow 562 ml/cc / 19.0 oz |
| • Weight 39.0 g / 1.38 oz | • Max. Bead Diameter N/A |
| • Other Weights No | • Material Options HDPE, PP |

Compatible closures & fitments



89 mm Continuous
Thread Ribbed Side
Smooth Top