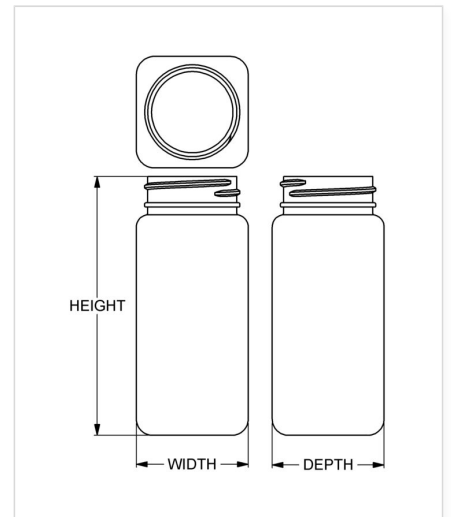


Item: 150 cc Wide-Mouth Square

Family: Browse Square



Specifications

- | | |
|--------------------------------------|---|
| • Capacity 150 ml/cc / 5.1 oz | • Height 101.17 mm / 3.983 in |
| • Mold # 0309 | • Width 43.66 mm / 1.719 in |
| • Finish 38-400 | • Depth 43.66 mm / 1.719 in |
| • Finish Code I1 | • Overflow 152 ml/cc / 5.1 oz |
| • Weight 15.8 g / 0.56 oz | • Max. Bead Diameter 37.72 mm / 1.485 in |
| • Other Weights No | • Material Options HDPE |

Compatible closures & fitments



38 mm Continuous
Thread Ribbed Side
Smooth Top



38 mm THUMBLE-
EZY® Dispensing Top



38 mm Continuous
Thread Smooth Side
Smooth Top



38 mm SecuRx®
Ribbed Side Pictorial
Top CRC



38 mm SecuRx®
Ribbed Side Text Top
CRC



38 mm THUMBLE-
EZY® Dispensing Top
with Raised Ring



38 mm THUMBLE-
EZY® III Dispensing
Top



38 mm SecuRx® 15ml
Dosage Cap™ with
Ribbed Side Text Top