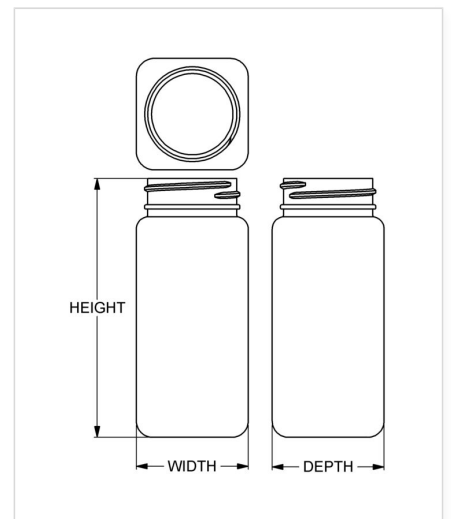


**Item:** 150 cc Wide-Mouth Square

**Family:** Browse Square



## Specifications

- |                                      |   |
|--------------------------------------|---|
| • <b>Capacity</b> 150 ml/cc / 5.1 oz | • <b>Height</b> 101.17 mm / 3.983 in            |
| • <b>Mold #</b> 0309                 | • <b>Width</b> 43.66 mm / 1.719 in              |
| • <b>Finish</b> 38-400               | • <b>Depth</b> 43.66 mm / 1.719 in              |
| • <b>Finish Code</b> I1              | • <b>Overflow</b> 152 ml/cc / 5.1 oz            |
| • <b>Weight</b> 15.8 g / 0.56 oz     | • <b>Max. Bead Diameter</b> 37.72 mm / 1.485 in |
| • <b>Other Weights</b> No            | • <b>Material Options</b> HDPE                  |



## Compatible closures & fitments



38 mm Continuous  
Thread Ribbed Side  
Smooth Top



38 mm THUMBLE-  
EZY® Dispensing Top



38 mm Continuous  
Thread Smooth Side  
Smooth Top



38 mm SecuRx®  
Ribbed Side Pictorial  
Top CRC



38 mm SecuRx®  
Ribbed Side Text Top  
CRC



38 mm THUMBLE-  
EZY® Dispensing Top  
with Raised Ring



38 mm THUMBLE-  
EZY® III Dispensing  
Top



38 mm SecuRx® 15ml  
Dosage Cap™ with  
Ribbed Side Text Top

