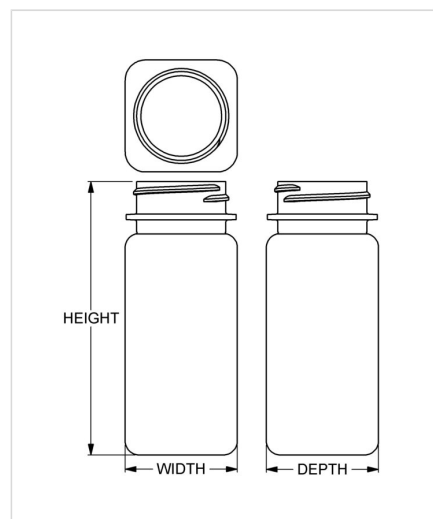


Item: 150 cc Wide-Mouth Square

Family: Browse Square



Specifications

- | | |
|--------------------------------------|---|
| • Capacity 150 ml/cc / 5.1 oz | • Height 106.86 mm / 4.207 in |
| • Mold # S150 | • Width 43.82 mm / 1.725 in |
| • Finish 38 mm | • Depth 43.82 mm / 1.725 in |
| • Finish Code IA | • Overflow 156 ml/cc / 5.3 oz |
| • Weight 17.5 g / 0.62 oz | • Max. Bead Diameter 43.31 mm / 1.705 in |
| • Other Weights No | • Material Options HDPE |



Compatible closures & fitments



38 mm Continuous
Thread Ribbed Side
Smooth Top



38 mm THUMBLE-
EZY® Dispensing Top



38 mm Continuous
Thread Smooth Side
Smooth Top



38 mm THUMBLE-
EZY® Dispensing Top
with Raised Ring



38 mm THUMBLE-
EZY® III Dispensing
Top

