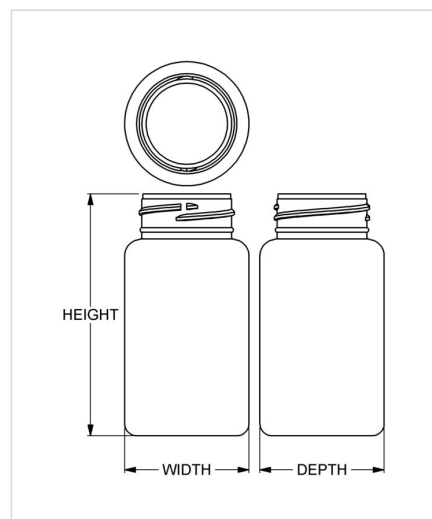


Item: 120 cc Classic Series Wide-Mouth Round
Family: Browse Round



Specifications

- | | |
|--------------------------------------|---|
| • Capacity 120 ml/cc / 4.1 oz | • Height 94.54 mm / 3.722 in |
| • Mold # 0313 | • Width 48.54 mm / 1.911 in |
| • Finish Special | • Depth 48.54 mm / 1.911 in |
| • Finish Code IA | • Overflow 136 ml/cc / 4.6 oz |
| • Weight 18.0 g / 0.63 oz | • Max. Bead Diameter 36.83 mm / 1.450 in |
| • Other Weights No | • Material Options HDPE |

