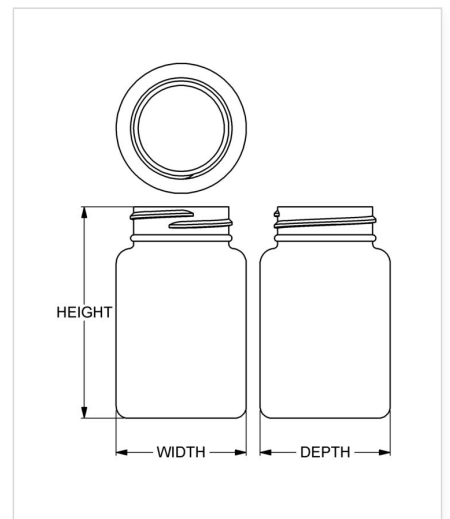


**Item:** 100 cc Contemporary Series Wide-Mouth Round  
**Family:** Browse Round



## Specifications

- |                                      |                                                 |
|--------------------------------------|-------------------------------------------------|
| • <b>Capacity</b> 100 ml/cc / 3.4 oz | • <b>Height</b> 77.47 mm / 3.050 in             |
| • <b>Mold #</b> 0100                 | • <b>Width</b> 47.63 mm / 1.875 in              |
| • <b>Finish</b> 38-400               | • <b>Depth</b> 47.63 mm / 1.875 in              |
| • <b>Finish Code</b> I1              | • <b>Overflow</b> 110 ml/cc / 3.7 oz            |
| • <b>Weight</b> 12.5 g / 0.44 oz     | • <b>Max. Bead Diameter</b> 37.49 mm / 1.476 in |
| • <b>Other Weights</b> Yes           | • <b>Material Options</b> HDPE                  |

## Compatible closures & fitments



38 mm Continuous  
Thread Ribbed Side  
Smooth Top



38 mm THUMBLE-  
EZY® Dispensing Top



38 mm Continuous  
Thread Smooth Side  
Smooth Top



38 mm SecuRx®  
Ribbed Side Pictorial  
Top CRC



38 mm SecuRx®  
Ribbed Side Text Top  
CRC



38 mm THUMBLE-  
EZY® Dispensing Top  
with Raised Ring



38 mm THUMBLE-  
EZY® III Dispensing  
Top



38 mm SecuRx® 15ml  
Dosage Cap™ with  
Ribbed Side Text Top