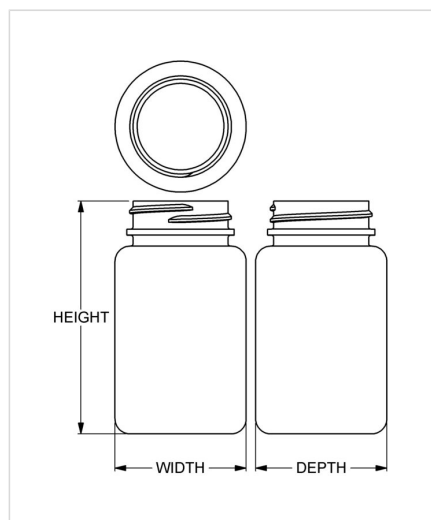


Item: PharmaSure™ 100 cc Contemporary Series Wide-Mouth Pharmaceutical Round

Family: PharmaSure™ Round



Specifications

- | | |
|--------------------------------------|---|
| • Capacity 100 ml/cc / 3.4 oz | • Height 85.34 mm / 3.360 in |
| • Mold # H100 | • Width 48.01 mm / 1.890 in |
| • Finish 38-400 | • Depth 48.01 mm / 1.890 in |
| • Finish Code I1 | • Overflow 124 ml/cc / 4.2 oz |
| • Weight 14.0 g / 0.49 oz | • Max. Bead Diameter 39.7 mm / 1.563 in |
| • Other Weights No | • Material Options Post-Consumer Recycled HDPE, HDPE |