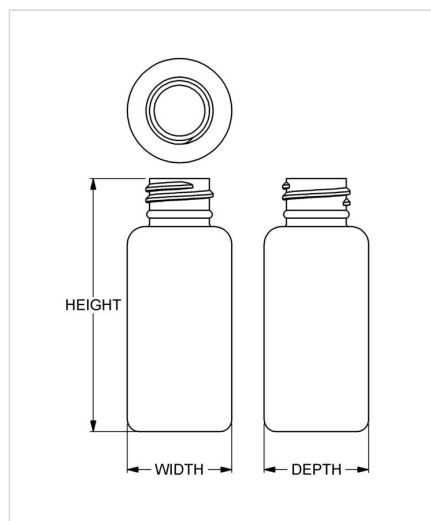


**Item:** 1 oz Boston Round  
**Family:** Browse Round



## Specifications

- |                                     |   |
|-------------------------------------|---|
| • <b>Capacity</b> 30 ml/cc / 1.0 oz | • <b>Height</b> 74.22 mm / 2.922 in             |
| • <b>Mold #</b> 0958                | • <b>Width</b> 30.56 mm / 1.203 in              |
| • <b>Finish</b> 20-410              | • <b>Depth</b> 30.56 mm / 1.203 in              |
| • <b>Finish Code</b> D2             | • <b>Overflow</b> 40 ml/cc / 1.4 oz             |
| • <b>Weight</b> 6.0 g / 0.21 oz     | • <b>Max. Bead Diameter</b> 19.63 mm / 0.773 in |
| • <b>Other Weights</b> No           | • <b>Material Options</b> HDPE, LDPE, PP        |

## Compatible closures & fitments



20 mm SecuRx®  
Ribbed Side Text Top  
CRC