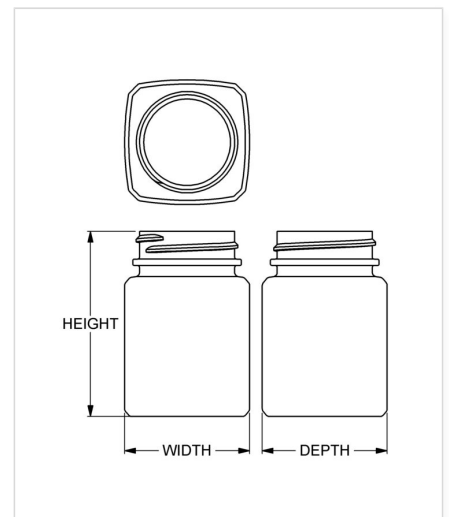


Item: 90 cc Wide-Mouth Beveled Square

Family: Browse Square



Specifications

- | | |
|-------------------------------------|--|
| • Capacity 90 ml/cc / 3.0 oz | • Height 67.89 mm / 2.673 in |
| • Mold # 0485 | • Width 45.72 mm / 1.800 in |
| • Finish 38-400 | • Depth 45.72 mm / 1.800 in |
| • Finish Code I1 | • Overflow 100 ml/cc / 3.4 oz |
| • Weight 16.0 g / 0.56 oz | • Max. Bead Diameter 39.7 mm / 1.563 in |
| • Other Weights No | • Material Options PET |



Compatible closures & fitments



38 mm Continuous
Thread Ribbed Side
Smooth Top



38 mm THUMBLE-
EZY® Dispensing Top
with Raised Ring



38 mm Continuous
Thread Smooth Side
Smooth Top



38 mm THUMBLE-
EZY® Dispensing Top



38 mm SecuRx®
Ribbed Side Pictorial
Top CRC



38 mm SecuRx®
Ribbed Side Text Top
CRC



38 mm THUMBLE-
EZY® III Dispensing
Top



38 mm SecuRx® 15ml
Dosage Cap™ with
Ribbed Side Text Top

