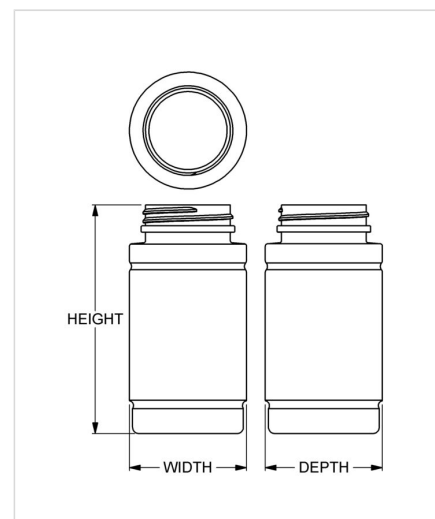


Item: 200 cc Ionic Round
Family: Browse Round



Specifications

- | | |
|--------------------------------------|--|
| • Capacity 200 ml/cc / 6.8 oz | • Height 111.76 mm / 4.400 in |
| • Mold # 0348 | • Width 57.15 mm / 2.250 in |
| • Finish 45-400 | • Depth 57.15 mm / 2.250 in |
| • Finish Code K1 | • Overflow 232 ml/cc / 7.8 oz |
| • Weight 23.5 g / 0.83 oz | • Max. Bead Diameter 46.2 mm / 1.819 in |
| • Other Weights No | • Material Options HDPE |

Compatible closures & fitments



45 mm Continuous
Thread Ribbed Side
Smooth Top



45 mm Continuous
Thread Smooth Side
Smooth Top



45 mm SecuRx®
GripMax™ Text Top
CRC



45 mm SecuRx®
Ribbed Side Text Top
CRC



45 mm THUMBLE-
EZY® Dispensing Top



45 mm THUMBLE-
EZY® Dispensing Top
with Raised Ring