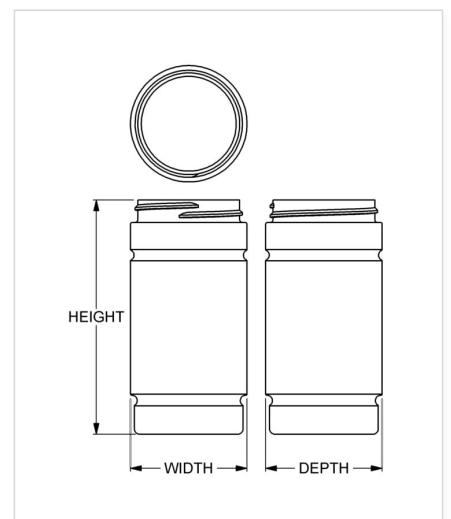


Item: 175 cc Ionic Round
Family: Browse Round



Specifications

- | | |
|--------------------------------------|---|
| • Capacity 175 ml/cc / 5.9 oz | • Height 103.02 mm / 4.056 in |
| • Mold # 0803 | • Width 51.18 mm / 2.015 in |
| • Finish 48-400 | • Depth 51.18 mm / 2.015 in |
| • Finish Code L1 | • Overflow 180 ml/cc / 6.1 oz |
| • Weight 19.0 g / 0.67 oz | • Max. Bead Diameter 51.97 mm / 2.046 in |
| • Other Weights No | • Material Options HDPE |

