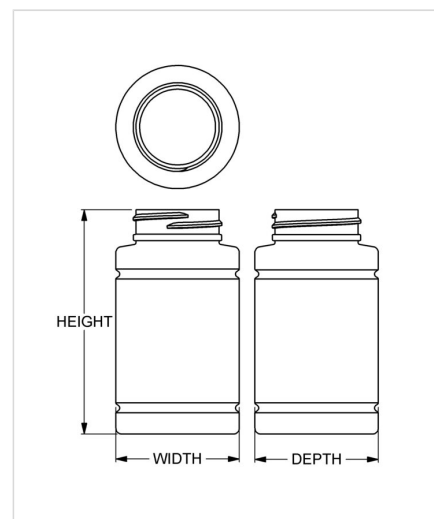


Item: 150 cc Ionic Round
Family: Browse Round



Specifications

- | | |
|--------------------------------------|---|
| • Capacity 150 ml/cc / 5.1 oz | • Height 93.98 mm / 3.700 in |
| • Mold # 0344 | • Width 51.61 mm / 2.032 in |
| • Finish 38 mm | • Depth 51.61 mm / 2.032 in |
| • Finish Code IA | • Overflow 160 ml/cc / 5.4 oz |
| • Weight 15.0 g / 0.53 oz | • Max. Bead Diameter 37.24 mm / 1.466 in |
| • Other Weights No | • Material Options HDPE |



Compatible closures & fitments



38 mm Continuous
Thread Ribbed Side
Smooth Top



38 mm THUMBLE-
EZY® Dispensing Top



38 mm Continuous
Thread Smooth Side
Smooth Top



38 mm SecuRx®
Ribbed Side Pictorial
Top CRC



38 mm SecuRx®
Ribbed Side Text Top
CRC



38 mm THUMBLE-
EZY® Dispensing Top
with Raised Ring



38 mm THUMBLE-
EZY® III Dispensing
Top



38 mm SecuRx® 15ml
Dosage Cap™ with
Ribbed Side Text Top

