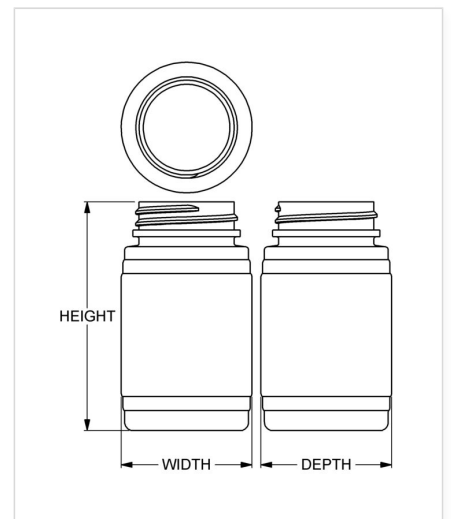


Item: 115 cc Stepped Round

Family: Browse Round



Specifications

- | | |
|--------------------------------------|--|
| • Capacity 115 ml/cc / 3.9 oz | • Height 83.82 mm / 3.300 in |
| • Mold # 0360 | • Width 47.88 mm / 1.885 in |
| • Finish 38-400 | • Depth 47.88 mm / 1.885 in |
| • Finish Code I1 | • Overflow 119 ml/cc / 4.0 oz |
| • Weight 14.0 g / 0.49 oz | • Max. Bead Diameter 39.7 mm / 1.563 in |
| • Other Weights No | • Material Options HDPE |



Compatible closures & fitments



38 mm Continuous
Thread Ribbed Side
Smooth Top



38 mm THUMBLE-
EZY® Dispensing Top



38 mm Continuous
Thread Smooth Side
Smooth Top



38 mm SecuRx®
Ribbed Side Pictorial
Top CRC



38 mm SecuRx®
Ribbed Side Text Top
CRC



38 mm THUMBLE-
EZY® Dispensing Top
with Raised Ring



38 mm THUMBLE-
EZY® III Dispensing
Top



38 mm SecuRx® 15ml
Dosage Cap™ with
Ribbed Side Text Top

