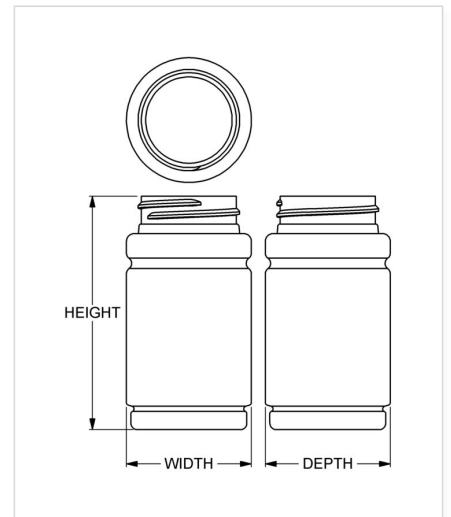


**Item:** LiveRight™ 100 cc Ionic Round

**Family:** LiveRight™ Round



## Specifications

- |                                      |   |
|--------------------------------------|---|
| • <b>Capacity</b> 100 ml/cc / 3.4 oz | • <b>Height</b> 85.6 mm / 3.370 in                          |
| • <b>Mold #</b> 0341                 | • <b>Width</b> 45.72 mm / 1.800 in                          |
| • <b>Finish</b> 38 mm                | • <b>Depth</b> 45.72 mm / 1.800 in                          |
| • <b>Finish Code</b> IA              | • <b>Overflow</b> 112 ml/cc / 3.8 oz                        |
| • <b>Weight</b> 14.0 g / 0.49 oz     | • <b>Max. Bead Diameter</b> 37.47 mm / 1.475 in             |
| • <b>Other Weights</b> No            | • <b>Material Options</b> Post-Consumer Recycled HDPE, HDPE |