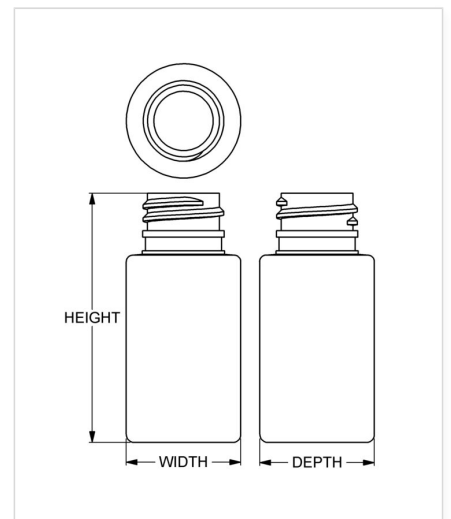


Item: 20 ml Cylindrical Vial
Family: Browse Cylinder



Specifications

- | | |
|-------------------------------------|---|
| • Capacity 20 ml/cc / 0.7 oz | • Height 60.91 mm / 2.398 in |
| • Mold # 0553 | • Width 27.94 mm / 1.100 in |
| • Finish 20-410 | • Depth 27.94 mm / 1.100 in |
| • Finish Code D2 | • Overflow 25 ml/cc / 0.8 oz |
| • Weight 8.5 g / 0.30 oz | • Max. Bead Diameter 19.89 mm / 0.783 in |
| • Other Weights No | • Material Options PET |

Compatible closures & fitments



20 mm SecuRx®
Ribbed Side Text Top
CRC