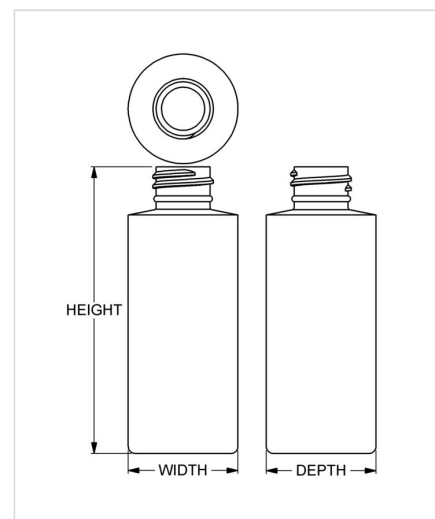


**Item:** 2 oz Standard Cylinder  
**Family:** Browse Cylinder



## Specifications

- |                                     |   |
|-------------------------------------|---|
| • <b>Capacity</b> 59 ml/cc / 2.0 oz | • <b>Height</b> 93.42 mm / 3.678 in             |
| • <b>Mold #</b> 1002                | • <b>Width</b> 35.71 mm / 1.406 in              |
| • <b>Finish</b> 20-410              | • <b>Depth</b> 35.71 mm / 1.406 in              |
| • <b>Finish Code</b> D2             | • <b>Overflow</b> 71 ml/cc / 2.4 oz             |
| • <b>Weight</b> 9.5 g / 0.34 oz     | • <b>Max. Bead Diameter</b> 19.43 mm / 0.765 in |
| • <b>Other Weights</b> Yes          | • <b>Material Options</b> HDPE, LDPE            |

## Compatible closures & fitments



20 mm SecuRx®  
Ribbed Side Text Top  
CRC