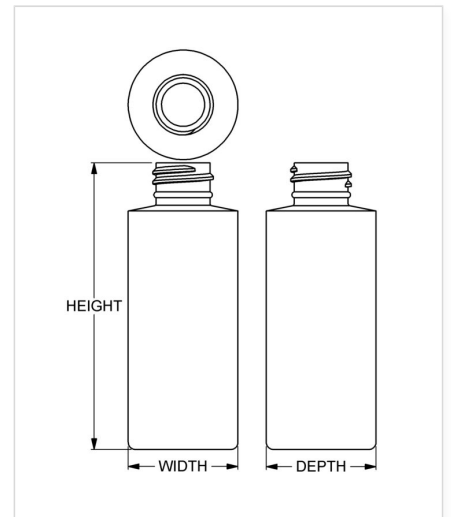


Item: 2 oz Standard Cylinder

Family: Browse Cylinder



Specifications

- | | |
|-------------------------------------|---|
| • Capacity 59 ml/cc / 2.0 oz | • Height 93.42 mm / 3.678 in |
| • Mold # 1002 | • Width 35.71 mm / 1.406 in |
| • Finish 20-410 | • Depth 35.71 mm / 1.406 in |
| • Finish Code D2 | • Overflow 71 ml/cc / 2.4 oz |
| • Weight 9.5 g / 0.34 oz | • Max. Bead Diameter 19.43 mm / 0.765 in |
| • Other Weights Yes | • Material Options HDPE, LDPE |



Compatible closures & fitments



20 mm SecuRx®
Ribbed Side Text Top
CRC

