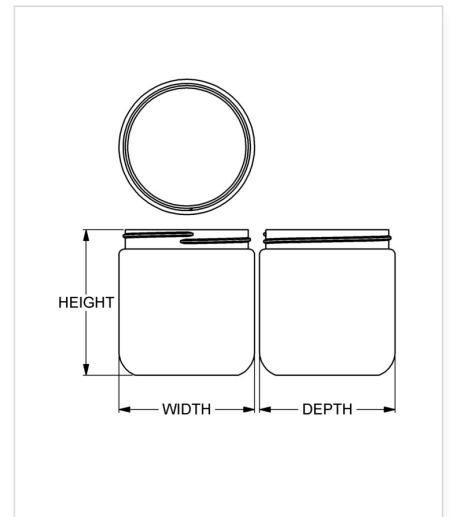


**Item:** FreeStyle™ 19 oz Ointment Jar

**Family:** FreeStyle™ Cannabis Jar



## Specifications

- |                                       |                                       |
|---------------------------------------|---------------------------------------|
| • <b>Capacity</b> 562 ml/cc / 19.0 oz | • <b>Height</b> 101.6 mm / 4.000 in   |
| • <b>Mold #</b> 0943                  | • <b>Width</b> 94.46 mm / 3.719 in    |
| • <b>Finish</b> 89-400                | • <b>Depth</b> 94.46 mm / 3.719 in    |
| • <b>Finish Code</b> P1               | • <b>Overflow</b> 626 ml/cc / 21.2 oz |
| • <b>Weight</b> 42.0 g / 1.48 oz      | • <b>Max. Bead Diameter</b> N/A       |
| • <b>Other Weights</b> No             | • <b>Material Options</b> PP          |

## Compatible closures & fitments



PharmaSure™ 89 mm  
Continuous Thread  
Ribbed Side Smooth  
Top