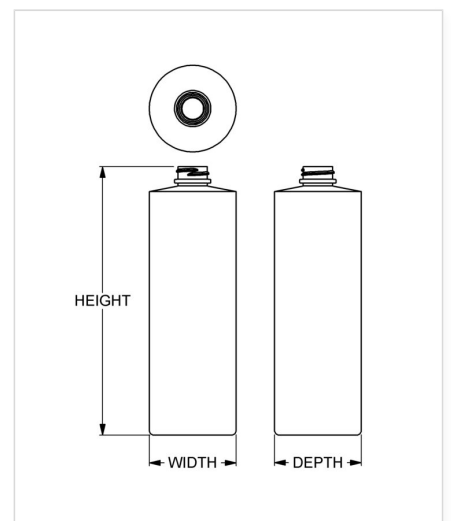


Item: 16 oz Standard Cylinder
Family: Browse Cylinder



Specifications

- | | |
|---------------------------------------|--|
| • Capacity 473 ml/cc / 16.0 oz | • Height 196.85 mm / 7.750 in |
| • Mold # 1016 | • Width 63.50 mm / 2.500 in |
| • Finish Special | • Depth 63.50 mm / 2.500 in |
| • Finish Code FA | • Overflow 528 ml/cc / 17.9 oz |
| • Weight 32.0 g / 1.13 oz | • Max. Bead Diameter 27 mm / 1.063 in |
| • Other Weights No | • Material Options HDPE |