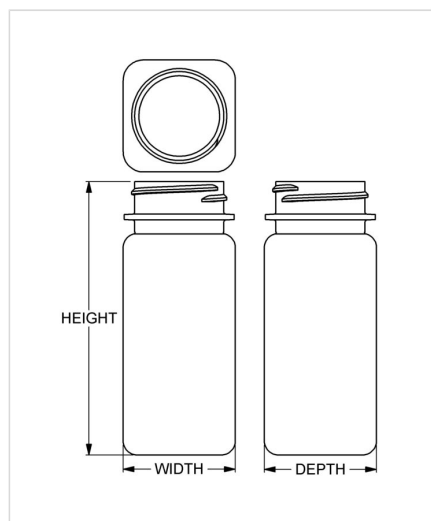


Item: FreeStyle™ 150 cc Wide-Mouth Med Square

Family: FreeStyle™ Square



Specifications

- | | |
|--------------------------------------|---|
| • Capacity 150 ml/cc / 5.1 oz | • Height 106.86 mm / 4.207 in |
| • Mold # S150 | • Width 43.82 mm / 1.725 in |
| • Finish 38 mm | • Depth 43.82 mm / 1.725 in |
| • Finish Code IA | • Overflow 156 ml/cc / 5.3 oz |
| • Weight 17.5 g / 0.62 oz | • Max. Bead Diameter 43.31 mm / 1.705 in |
| • Other Weights No | • Material Options Post-Consumer Recycled HDPE, HDPE |