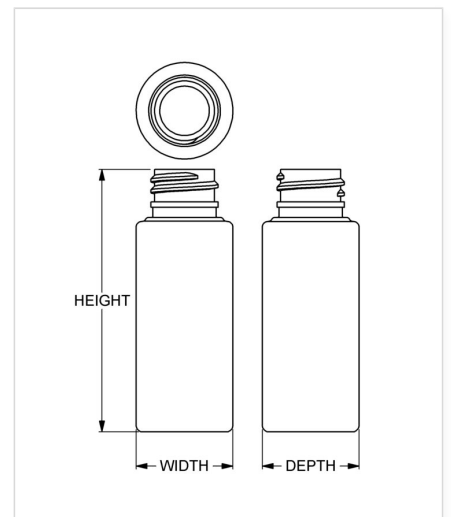


**Item:** 1 oz Cylindrical Vial  
**Family:** Browse Cylinder



## Specifications

- |                                     |   |
|-------------------------------------|---|
| • <b>Capacity</b> 30 ml/cc / 1.0 oz | • <b>Height</b> 76.99 mm / 3.031 in             |
| • <b>Mold #</b> 0542                | • <b>Width</b> 28.32 mm / 1.115 in              |
| • <b>Finish</b> 20-410              | • <b>Depth</b> 28.32 mm / 1.115 in              |
| • <b>Finish Code</b> D2             | • <b>Overflow</b> 36 ml/cc / 1.2 oz             |
| • <b>Weight</b> 8.5 g / 0.30 oz     | • <b>Max. Bead Diameter</b> 19.89 mm / 0.783 in |
| • <b>Other Weights</b> No           | • <b>Material Options</b> PET                   |

## Compatible closures & fitments



20 mm SecuRx®  
Ribbed Side Text Top  
CRC