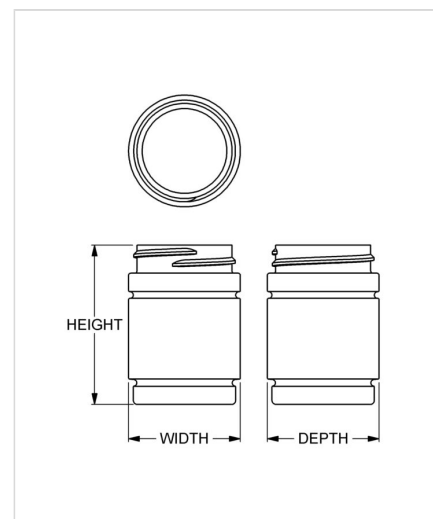


Item: 57 cc Ionic Round
Family: Browse Round



Specifications

- | | |
|-------------------------------------|---------------------------------------|
| • Capacity 57 ml/cc / 1.9 oz | • Height 58.29 mm / 2.295 in |
| • Mold # 0806 | • Width 40.87 mm / 1.609 in |
| • Finish 38-400 | • Depth 40.87 mm / 1.609 in |
| • Finish Code I1 | • Overflow 57.5 ml/cc / 1.9 oz |
| • Weight 10.0 g / 0.35 oz | • Max. Bead Diameter N/A |
| • Other Weights No | • Material Options HDPE |



Compatible closures & fitments



38 mm Continuous
Thread Ribbed Side
Smooth Top



38 mm Continuous
Thread Smooth Side
Smooth Top



38 mm THUMBLE-
EZY® Dispensing Top

