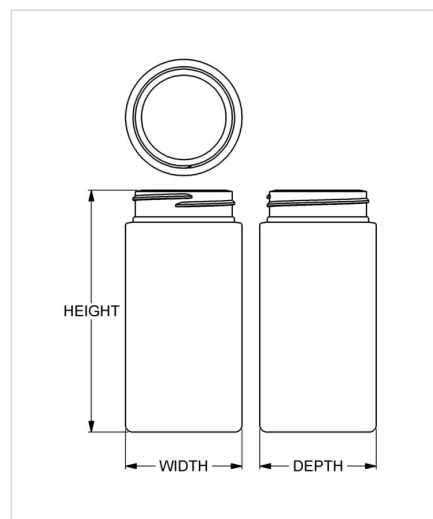


Item: 250 cc Wide-Mouth Cylinder

Family: Browse Cylinder



Specifications

- | | |
|--------------------------------------|---|
| • Capacity 250 ml/cc / 8.5 oz | • Height 124.10 mm / 4.886 in |
| • Mold # 0395 | • Width 59.64 mm / 2.348 in |
| • Finish 53-400 | • Depth 59.64 mm / 2.348 in |
| • Finish Code MA | • Overflow 299 ml/cc / 10.1 oz |
| • Weight 29.0 g / 1.02 oz | • Max. Bead Diameter 52.30 mm / 2.059 in |
| • Other Weights No | • Material Options HDPE |



Compatible closures & fitments



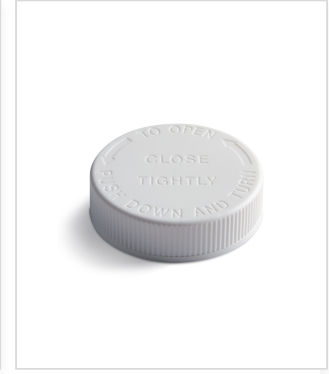
53 mm Continuous
Thread Ribbed Side
Smooth Top



53 mm Continuous
Thread Smooth Side
Smooth Top



53 mm SecuRx®
Ribbed Side Smooth
Top 2-Way Humidity
Control CRC



53 mm SecuRx®
Ribbed Side Text Top
CRC



53 mm THUMBLE-
EZY® Dispensing Top
with Raised Ring

