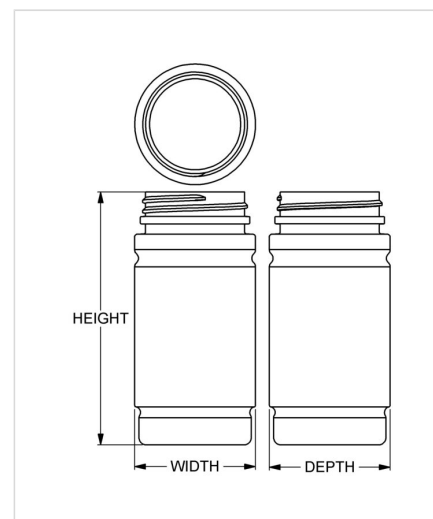


Item: 175 cc Ionic Round
Family: Browse Round



Specifications

- | | |
|--------------------------------------|--|
| • Capacity 175 ml/cc / 5.9 oz | • Height 105.94 mm / 4.171 in |
| • Mold # 0346 | • Width 50.55 mm / 1.990 in |
| • Finish 45-400 | • Depth 50.55 mm / 1.990 in |
| • Finish Code K1 | • Overflow 171 ml/cc / 5.8 oz |
| • Weight 22.5 g / 0.79 oz | • Max. Bead Diameter 46.2 mm / 1.819 in |
| • Other Weights No | • Material Options HDPE |

